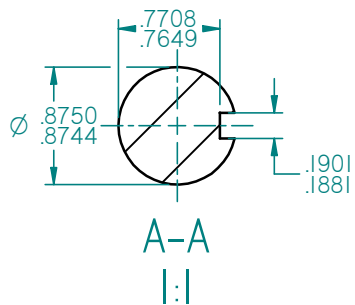
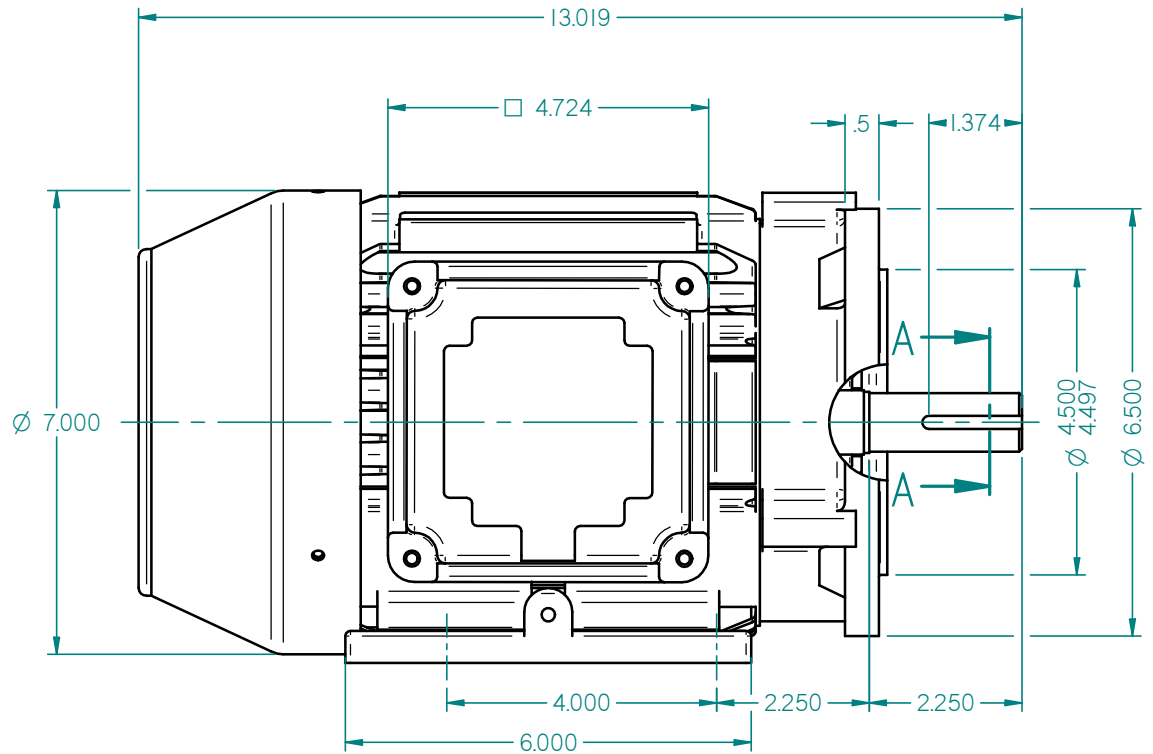


4 HOLES TAPPED 0.375" UNC
X 12.7 DEEP EQUI-SPACED
ON A 5.875" PCD



STANDARD TERMINAL BOX POSITION IS 9 O'CLOCK AS SHOWN.
CONDUIT ENTRIES:- TERMINAL BOX CAN BE ROTATED AT 90° INTERVALS
(CONDUIT ENTRY POSITION SHOWN FOR ILLUSTRATION ONLY)

ALL DIMENSIONS IN INCHES



FIRST ANGLE
PROJECTION

**BROOK
CROMPTON**

SHEET
SIZE

A3

TITLE:

OUTLINE DIMENSION DRAWING W CAST IRON TOTALLY ENCLOSED FAN COOLED
WP-DF143TC-R4 4P FRAME FOOT & C FLANGE MOUNTED MOTOR

	NAME	DATE
DRAWN	DL	23-11-12
CHECKED		
SCALE	1 : 2	

DRG. No.

DRG. REF.

REVISION:

DATE: